



**Knobs & Handles**

[www.kppl.co.in](http://www.kppl.co.in)

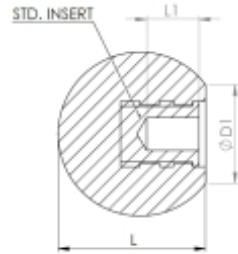
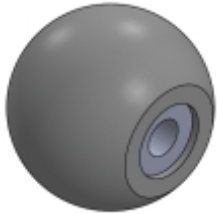
**Kumbhojkar Plastic Moulders**

Quality Plastic Engineering Products At Your Finger Tips



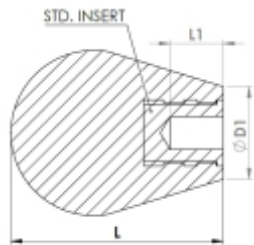
# Knobs & Handles

## Ball Grip



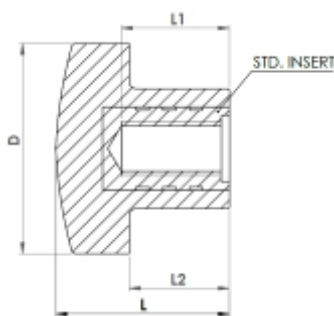
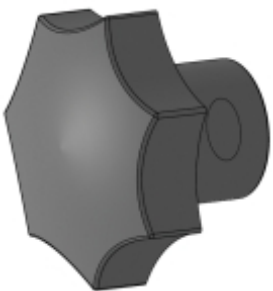
PART NO. BK-BL-GR-I-102	D	D1	L	L1
Ø 20mm x M5	20	8	17	10
Ø 25mm x M6	25	12	24	12
Ø 32mm x M8	32	12	30	16
Ø 38mm x M10	38	15	38	20
Ø50mm x M12	50	18	47	23

## Round Taper Knob



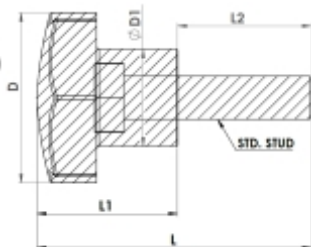
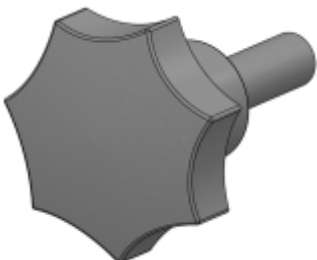
PART NO. BK-ROT-I-106	D	D1	L	L1
Ø 32mm x M8	32	12	45	20
Ø 38mm x M10	38	14	50	22
Ø 40mm x M12	40	13	53	24

## Star Knob



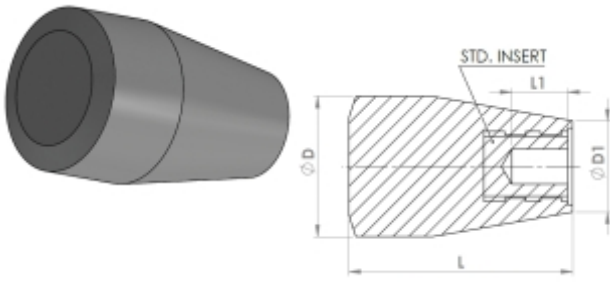
PART NO. BK-STR-I-108	D	D1	L	L1	L2
Ø 25mm x M5	25	18	16	10	7
Ø 25mm x M6	25	18	16	10	7
Ø 40mm x M8	38	22	27	14	15
Ø 40mm x M10	38	22	27	14	15
Ø 50mm x M8	48	28	34	20	19
Ø 50mm x M10	50	28	34	20	18
Ø 63mm x M10	63	40	44	22	25
Ø 63mm x M12	63	40	44	22	25
Ø 70mm x M10	70	25	40	22	20*
Ø 70mm x M12	70	25	40	22	20*

## Star Knob Stud



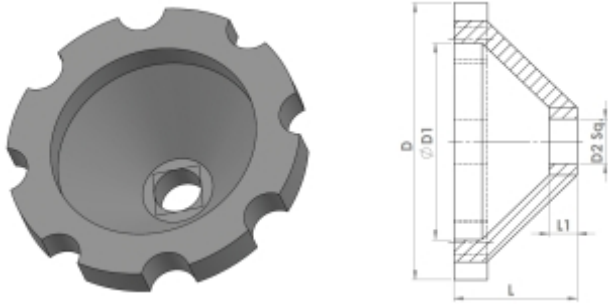
PART NO. BK-STR-S-107	D	D1	L	L1	L2
Ø 40mm x M8	38	20	80	29	51
Ø 50mm x M10	50	27	88	37	51
Ø 63mm x M12	63	40	91	43	48

## Flat Taper Knob



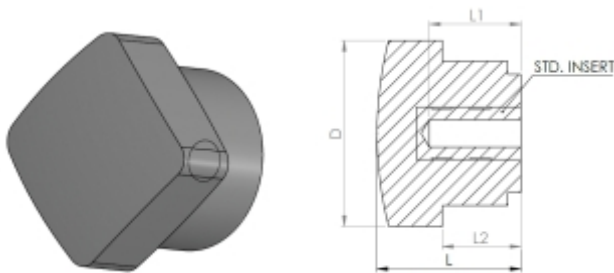
PART NO. BK-FL-T	D	D1	L	L1
Ø 22mm x M6	20	13	22	15
Ø 22mm x M8	22	14	32	17

## Star Wheel Valve Knob



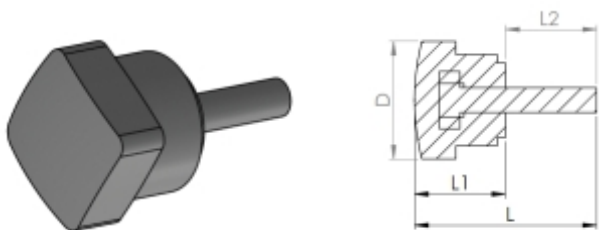
PART NO. BK-VLV-122	D	D1	D2 Sq.	L	L1
Ø 50mm for 8mm Sq. Shaft	50	35	8	22	10
Ø 80mm for 8mm Sq. Shaft	80	45	8	30	12
Ø 80mm for 10mm Sq. Shaft	80	45	10	30	12

## Square Knob



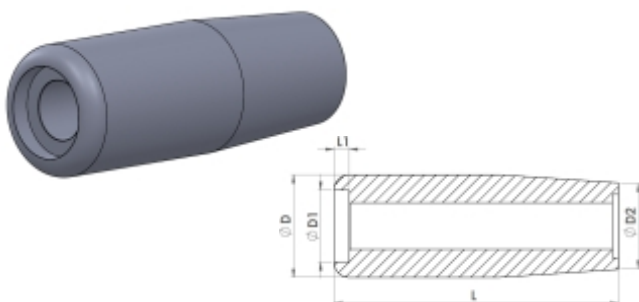
PART NO. BK-SQ-I-126	D	D1	L	L1	L2
Ø 22mm x M6	22	17	20	18	12

## Square Knob - Stud



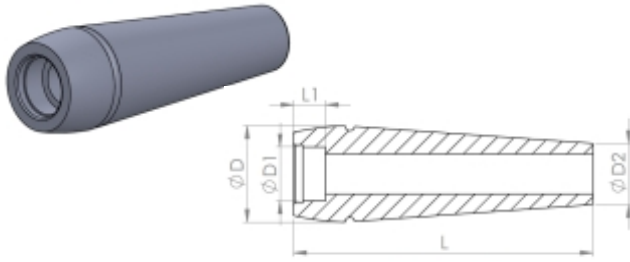
PART NO. BK-SQ-S-125	D	D1	L	L1	L2
Ø 22mm x M6	22	17	43	22	21

## Bakelite Sleeve



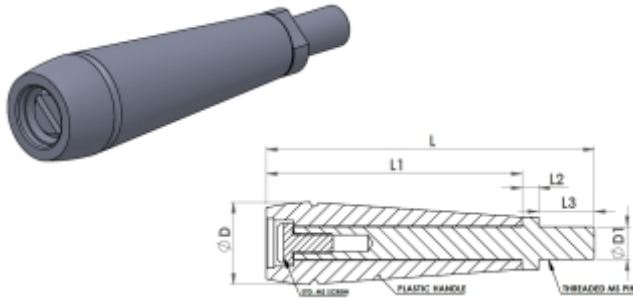
PART NAME	D	D1	D2	D3	L	L1
56 MM LONG	22	14.5	17.5	9	56	3.5
72 MM LONG	28	20	22.5	13.5	72	4
90 MM LONG	29.5	20.5	22.5	14	90	4

## Taper Rotating Handle



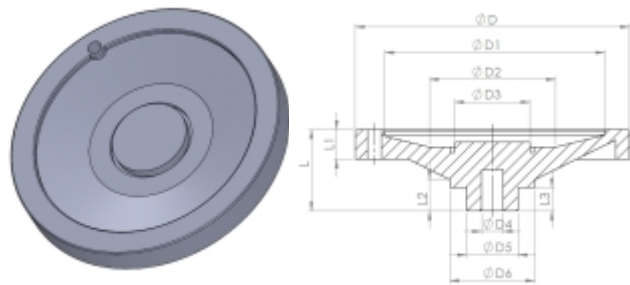
PART NAME	D	D1	D2	D3	L	L1
DIA.25 X 78 LONG	25	14.5	16	9.8	78	8.5
DIA. 32 X 102 LONG	32	14.5	21	10.5	101.5	6.5

## Rotating Taper Handle with Pin



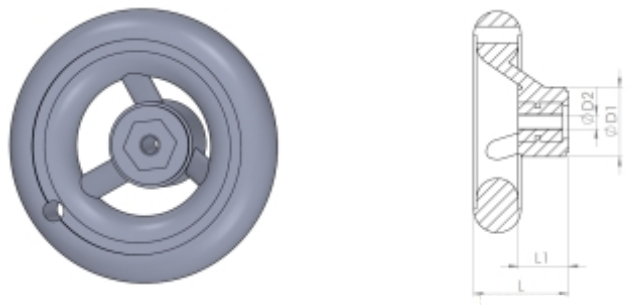
PART NAME	D	D1	L	L1	L2	L3
DIA.25 X 78 LONG	25	M10	99	78	5	17
DIA. 32 X 102 LONG	32	M12	132.7	101.5	9	22

## Solid Handwheel



PART Name	D	D1	D2	D3	D4	D5	D6	L	L1	L2
$\phi$ 120	120	90	70	44	12	31	62	38	15	22
$\phi$ 200	200	164	92	55	17	37	62	60	17	27

## Spoke Handwheel



PART NAME	D	D1	D2	L	L1
$\phi$ 80mm HANDWHEEL	78	25	4.7	32.7	16
$\phi$ 100mm HANDWHEEL	100	32.5	6	45	22
$\phi$ 150mm HANDWHEEL	150	37	8	62.7	25