



Material Handling Gravity Rollers






www.kppl.co.in

Quality Plastic Engineering Products At Your Finger Tips

 DIA. 40 X ID10.1 X 50L	 DIA. 40 X ID10.1 X 22L	 DIA. 54 X ID12.1 X 50L
ROLLER CR 1	ROLLER CR 2	ROLLER CR 3
 DIA. 54 X ID12.1 X 22L	 DIA. 67 X ID12.8 X 51L	 DIA. 67 X ID12.8 X 22L
ROLLER CR 4	ROLLER CR 5	ROLLER CR 6

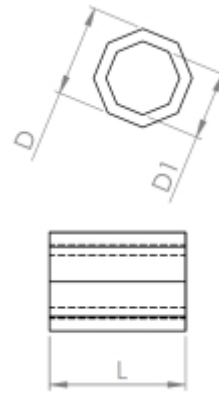
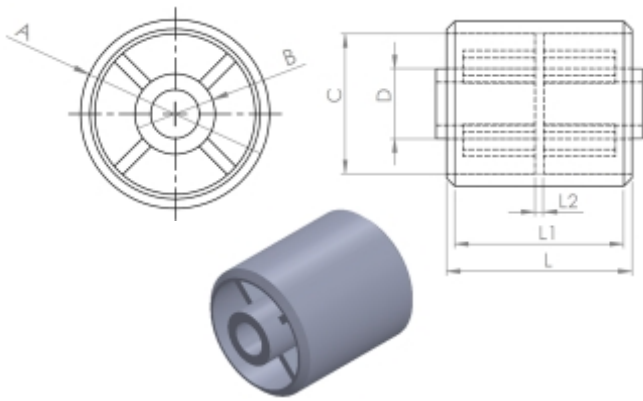
 MULTI DIRECTIONAL WHEEL - 100MM
 MULTI DIRECTIONAL WHEEL - 50MM

 OD 28MM X 26 LX ID 5.2	 OD 38.5 X ID 8.8 XT 9.1	 OD 60.1 X ID 14.9 XT 14.9	 OD 79.8 - 78 X ID 16.9 XT 22.8	 OD 48.6 X ID 8.1 XT 17.4
ROLLER	BEARING WHEEL - 609Z	BEARING WHEEL - 6002Z	BEARING WHEEL - 6203Z	BALL BEARING ROLLER

 OD 39.8 - 36.9 X ID 11.6 X 19.5 L	 OD 39 X ID 11.6 X 19.5 L	 OD 36.8 X ID 11.6 X 17 L	 OD 35.5-31 X ID 11.6 X 17 L	 OD 33.2 X ID 6.6 X 9.9 L
TROLLEY COLLARED TAPER ROLLER	TROLLEY COLLARED ROUND ROLLER	TROLLEY ROUND ROLLER	TROLLEY TAPER ROLLER	ENCLOSED TRACK ROLLER

 OD 34.6 X ID 5.6 X 16.6 LX V 5.8	 OD 47.5 X ID 8.2 X 23.8 LX V 7.8	 OD 35.7 X ID 5.2 X 14.4 L	 OD 24.5 X ID 5.2 XT 12.8	 OD 35.8 X ID 5.2 X 5.2 L	
8MM PULLY	12MM PULLY	MINI RAIL ROLLER	SUGAR ROLLER	ROUND BAR ROLLER	ROLLERS FOR PVC PIPE

GRAVITY ROLLER

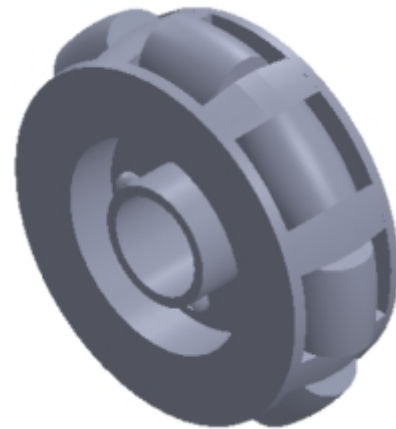
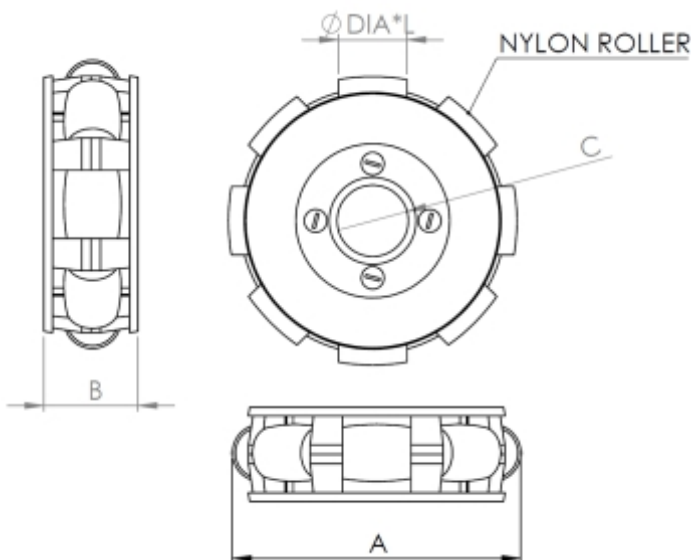


MATERIAL - NYLON-6-BLACK

CR. NO	A	B	C	D	L	L1	L2
CR-1	40	10	34	17	50	45	2
CR-2	40	10	34	17	22	18	2
CR-3	54	12.5	48	19	50	45	3
CR-4	54	12.5	48	19	22	18	3
CR-5	67	12.5	60	19	50	40	3
CR-6	67	12.5	60	19	22	18	3

• ALL DIMENSIONS ARE IN MM & ROUNDED OFF TO 0.5mm • WE RESERVE THE RIGHT TO MAKE TECHNICAL CHANGES WITHOUT NOTICE • NOTE: WE DO NOT GAURANTEE LOAD CARRYING. WE HAVE MENTIONED OUR TEST RESULT REFERENCE.

MULTI - DIRECTIONAL WHEEL



PART NO.	A	B	C	Ø DIA * LENGTH	MATERIAL - PP & NYLON ROLLER LOAD CARRYING: MDW100= 3KN/ASSEMBLY MDW50 = 1.5KN/ASSEMBLY
MDW-100	100	33	25	Ø 18*24	
MDW-50	50	17	12	Ø 11*11	

• ALL DIMENSIONS ARE IN MM & ROUNDED OFF TO 0.5mm • WE RESERVE THE RIGHT TO MAKE TECHNICAL CHANGES WITHOUT NOTICE • NOTE: WE DO NOT GAURANTEE LOAD CARRYING. WE HAVE MENTIONED OUR TEST RESULT REFERENCE.

Anand Kumbhojkar

www.kumbhojkarplastics.com

K[®]
Kumbhojkar
Plastic
Moulders

mktg@kumbhojkarplastics.com

sales@kumbhojkarplastics.com

129, Narayan Peth, Sitaphal Baug Colony,

Near Mati Ganpati, Pune - 411 030. INDIA

Tel.: +91-96070 03424 +91-94042 38939

